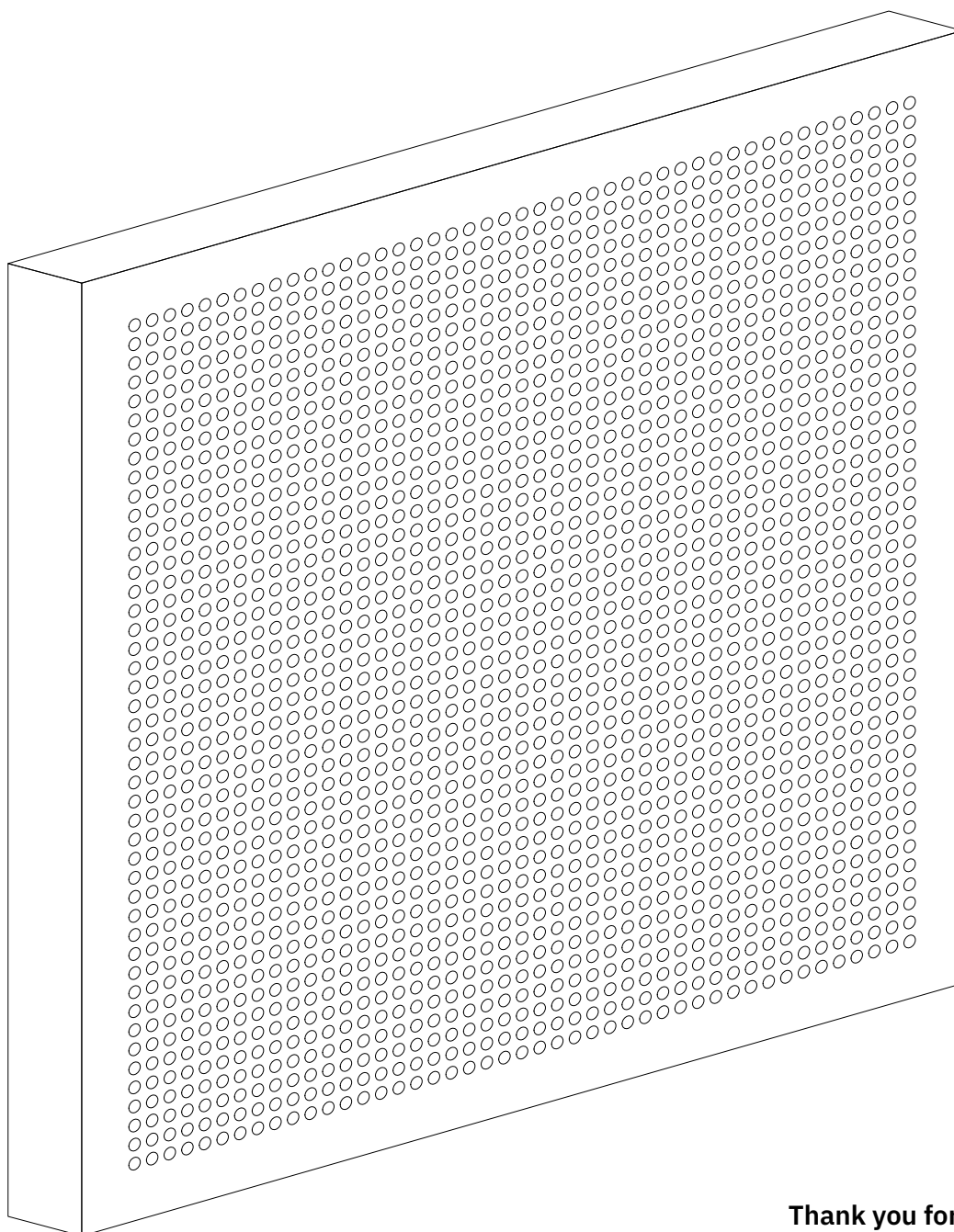


FLUFFO

Mounting instructions of the **FLUFFO PERFO** wall panels



**Thank you for choosing
FLUFFO PERFO wall panels.**

Only one person is needed to install the panels.

Follow the instructions.
Should you need our help at any stage
of the installation please call:

www.fluffo.pl

+48 502 552 392

DIRECTIONS FOR USE:



The panels should be installed away from open flames, sparks and other heat sources such as air conditioners or fans.



The top finish of the panels is susceptible to mechanical damage. Be careful not to damage the top layer of the panels with sharp tools during installation.



Avoid staining the panels.

CLEANING AND CARE INSTRUCTIONS:



The Fluffo finish covering our panels is antistatic and does not attract dust. However, dust can settle on the panels, just like on any furniture. In order to remove dust, use a soft brush or vacuum with a standard brush for upholstered furniture.



Lightweight stains can be removed with a soft sponge slightly moistened with diluted detergent. When cleaning please wipe the whole panel surface, so that you don't leave rubbing traces in one spot. Wipe the steel surfaces with a damp cloth.



Be sure not to over rub the panel surface with a wet sponge and avoid strong detergents, such as bleach or washing powder.

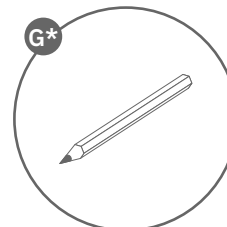
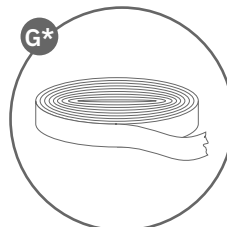
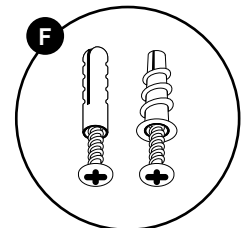
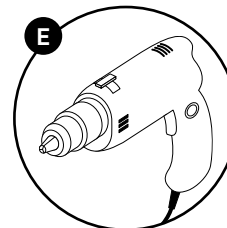
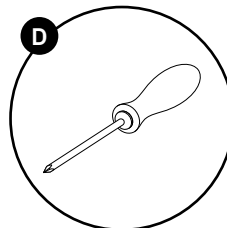
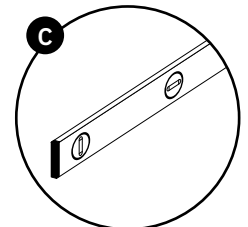
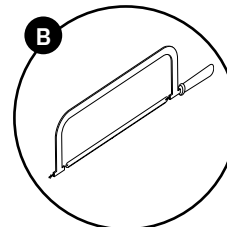
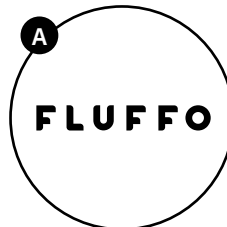
The above information is based on our best knowledge, and serves only as a guideline. We are always happy to provide information and technical advice regarding our products. We reserve the right to make changes in our offer at any time. It is up to the customer to make sure that our panels' technical characteristics fit the purpose set by the customer. We will not take responsibility for the use of our products against our recommendations.

1 Preparation for installation

Prepare:

- A** FLUFFO PERFO panels and accessories
- B** hacksaw
- C** level
- D** crosshead screwdriver
- E** drill
- F** dowels and screws
- G*** a pencil or narrow painter's tape

* optionally to mark the outline of the panels



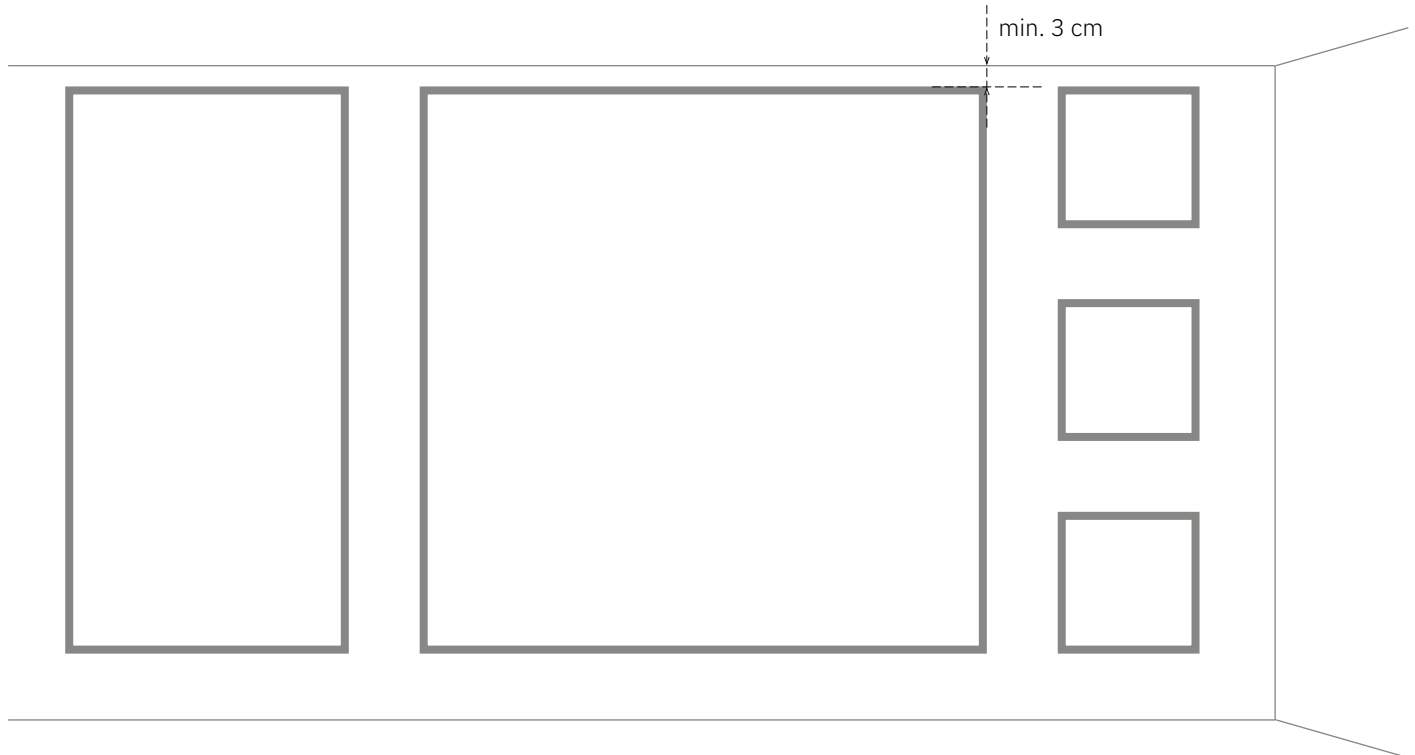
Should you need our help at any stage of the installation please call:

+48 502 552 392

2 Arrangement of panels on the wall

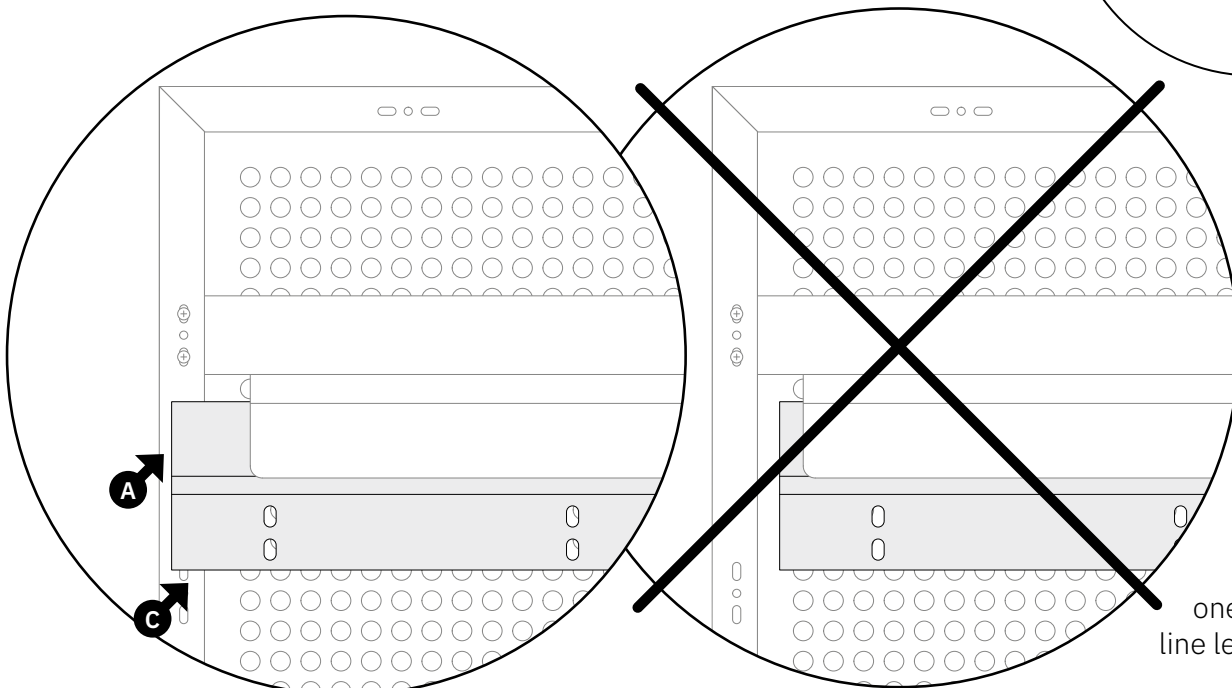
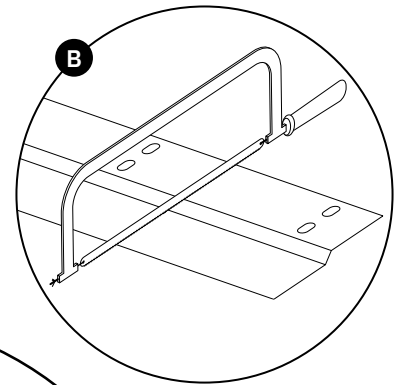
Attention! Make sure that the wall is even. Plan the placement of the panels on the wall: you can use a pencil or narrow painter's tape to mark the outlines of the panels.

ATTENTION! The recommended minimum distance of the panels from the ceiling is 3 cm.



3 Preparation of the wall rails

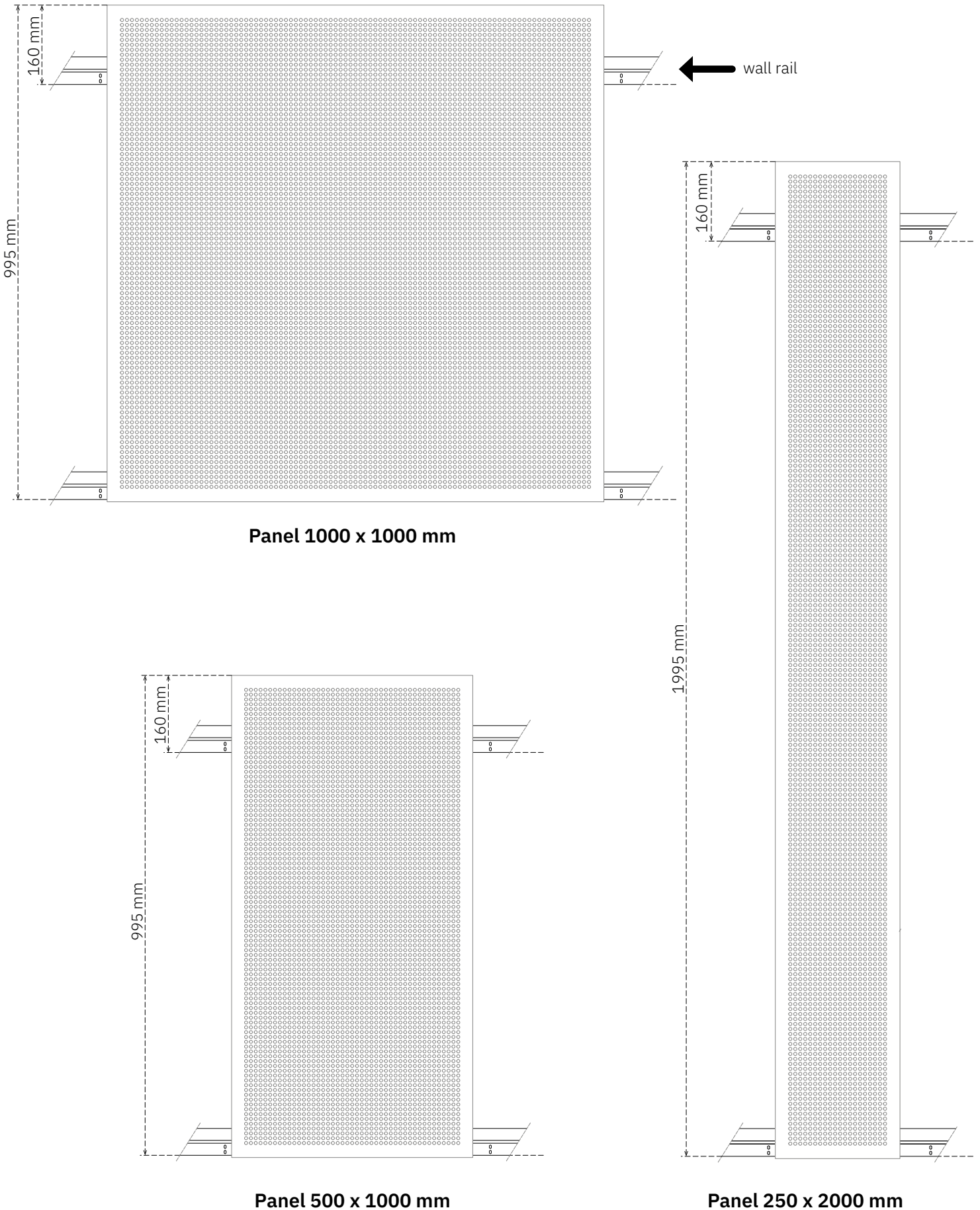
- A** The wall rail should be approximately 1 cm shorter (0.5 cm on each side) than the width of a single panel or of the entire set of panels hung side by side.
- B** If necessary, trim the wall rail to the appropriate length.
- C** The correctly installed panel must rest with its back edges on the wall rail. This will ensure the correct distance of the panel from the wall.



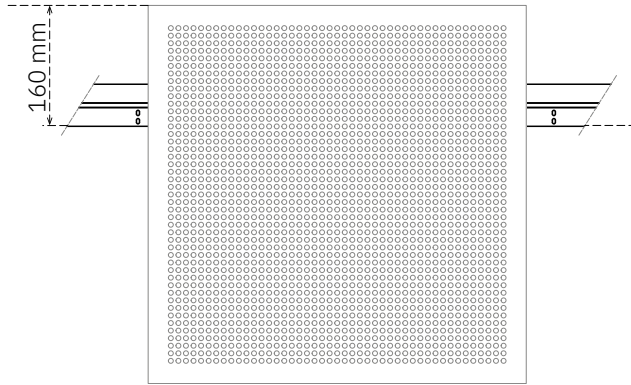
ATTENTION!
If you plan to hang more than one wall rail in one line leave a 5 mm gap between them.

4 Installation of the wall rails

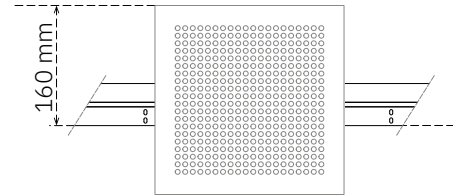
A On the wall mark the locations of the wall hangers using the following diagrams of their positioning for each panel size.



4 Installation of the wall rail

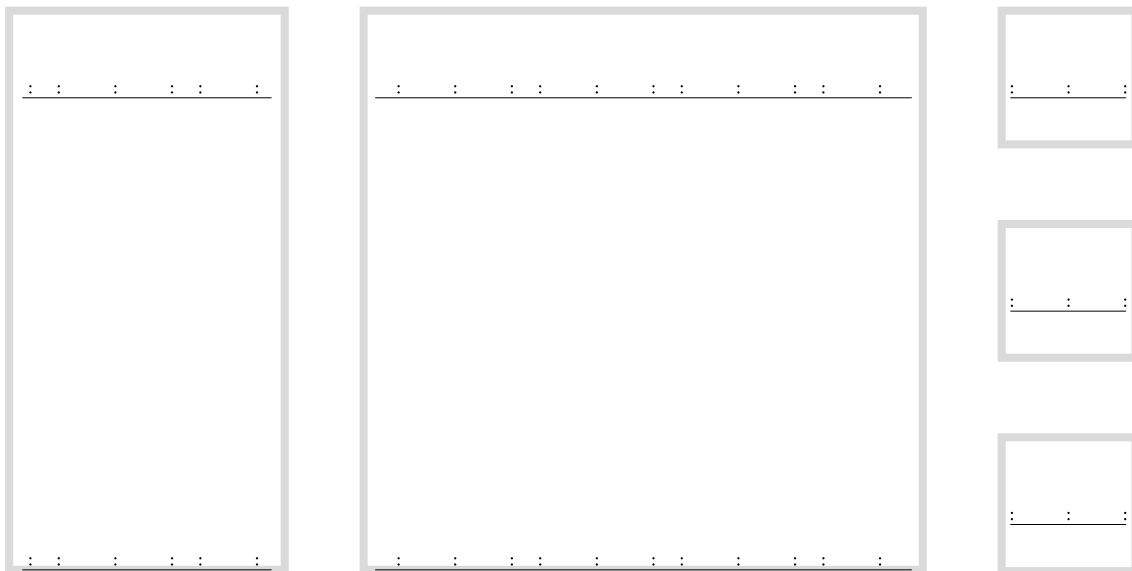


Panel 500 x 500 mm



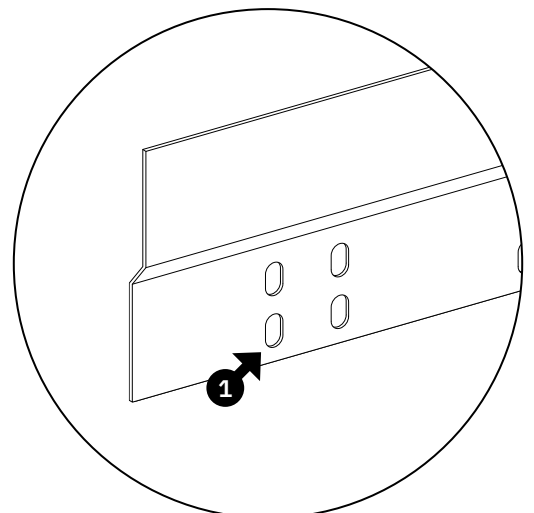
Panel 250 x 250 mm

B Mark and drill mounting holes for ALL wall hangers



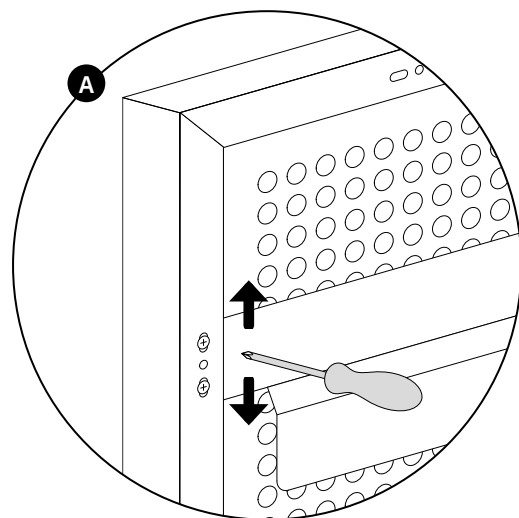
ATTENTION!

- 1 The holes in the wall rails are oval in shape – this allows for their precise installation even if the hole in the wall is not drilled in a precise way.
- 2 Drill all the necessary holes in the wall before you hang the first panels, this way you avoid dirtying the panels when you drill the remaining holes.
- 3 Install the wall rails and panels piece by piece starting from the bottom of the wall going upwards – if you install all the wall rails at once, you will not be able to install some of the panels.



5 Panel installation

A Hangers fixed to the panel have the possibility of correcting their position by approximately 4 mm up/down. If necessary, loosen the screws and correct the position of the hanger.



B Install panels by sliding their hangers from the top onto the wall rails.

