

**W-Tec 3Ds:
the slim and robust concealed
hinge for narrow profiles**



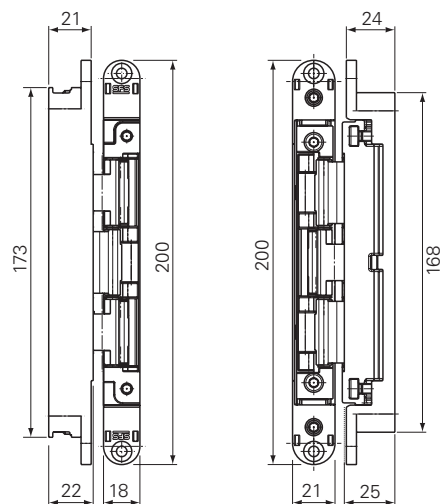


W-Tec 3Ds: the slim and robust concealed hinge narrow profiles.

The demand for doors suitable for environments characterised by a simple design has been constantly increasing, and thus also the tendency to use profiles so thin that they blend perfectly into the environment. W-Tec 3Ds is the ideal hinge for this type of application.

W-Tec 3Ds is a variant of the W-Tec 3D+ range and, just like all the hinges in this range, is extremely stable thanks to its 7-axis internal mechanism. W-Tec 3Ds features two mechanical height and horizontal adjustments of +/- 3mm and manual depth adjustment +/- 1mm. All adjustments are independent from each other.

The W-Tec 3Ds hinge with minimum overall dimensions both on the sash and on the frame can be mounted on profiles from 24mm. It also fully meets the demand of door manufacturers to be able to use a single product for flush applications and so-called rebated flush fit applications.



- **Stable thanks to the new 7-axis internal mechanism**
- **Easy adjustments all independent from each other**
- **Minimal dimensions, especially in depth, for narrow profiles**
- **Wide range of finishes on request**
- **For solid or covered wood and steel frames**
- **Milling jig available**
- **Capacity up to 50kg. tested with 2 hinges**

Hinge order code	Finish	Packaging
1500689 W-Tec 3Ds	Zinc GSS	2 pcs.
1493626 W-Tec 3Ds	Matt chrome	2 pcs.



Milling jig with inserts

Jig	1272844
Insert set 2+2	1502830



Support for steel frame

W-Tec 3Ds (packaging 10 pcs.)	1502857
-------------------------------	---------



Kit reinforcing palte with spacers and screw for cover frame

W-Tec 3Ds (packaging 10 pcs.)	1502901
-------------------------------	---------

made in Italy

Registered design & Patent pending

SFS intec S.r.l.

I-33170 Pordenone
Via Castelfranco Veneto 71

Tel. 0434 9951
Fax 0434 995201
it.info@sfsintec.biz
www.sfsintec.biz/it

SFS intec
Turn ideas into reality