

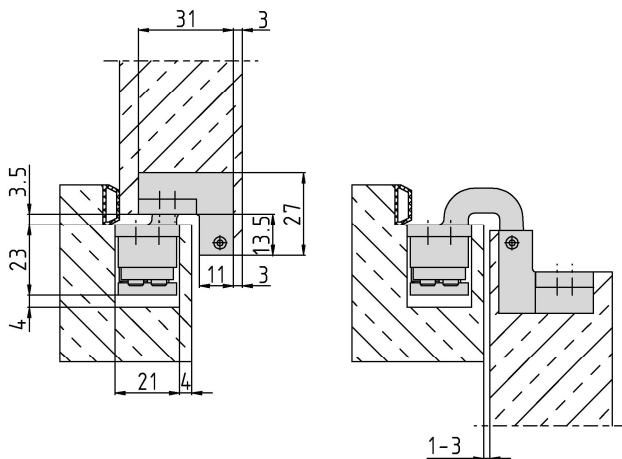
Spanplattenschraube  $\varnothing 4.5$   
Senkschraube ISO 14581 - M5



**Additional Information**

- Standard load: Maximum door weight 80 kg (per pair)
- Application: Concealed hinge for rebated doors, hinge leaves are mortised into frame and door; 3-dimensional adjustability, maintenance-free bearings;
- Accessories: Safety plate for frame part, retainer for casing or steel frames
- Note: also available in "Design"-option

**Section Drawing**



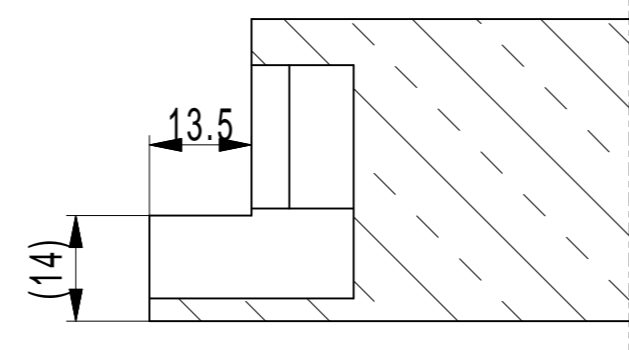
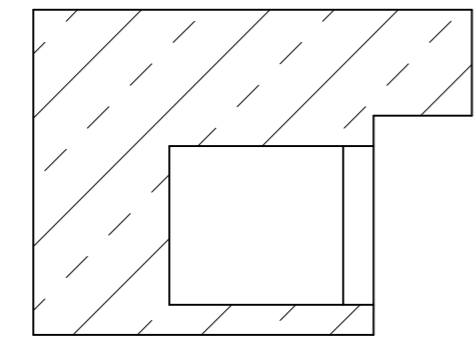
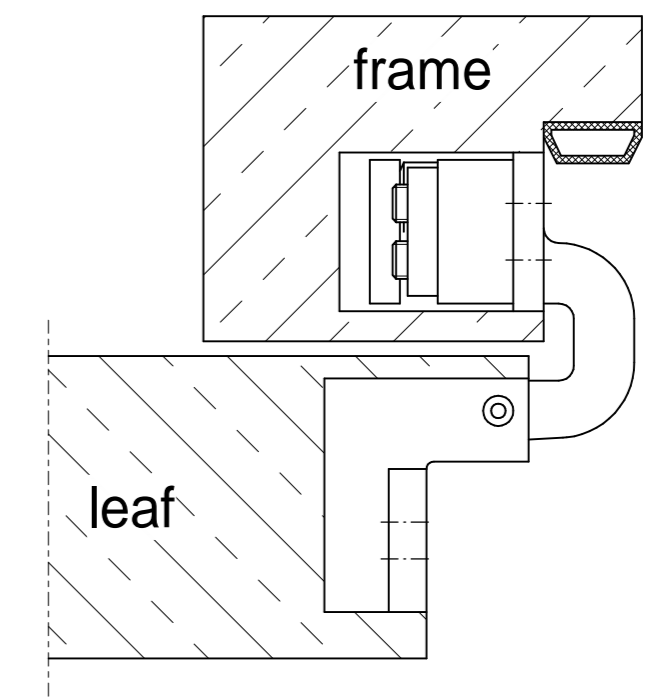
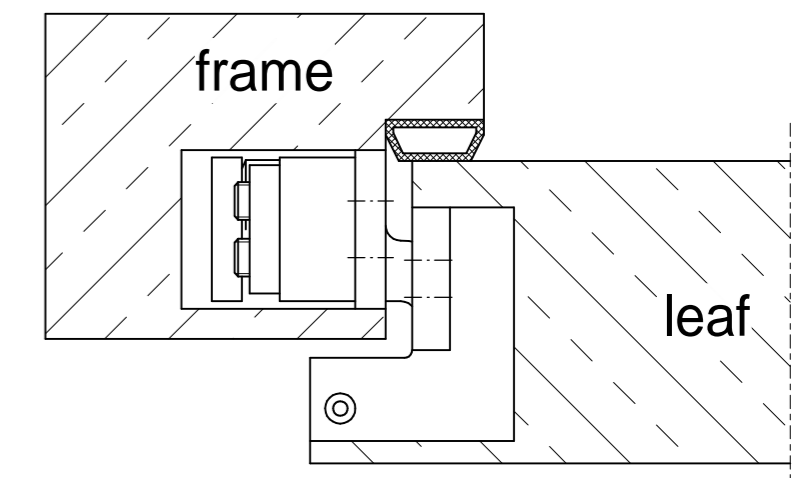
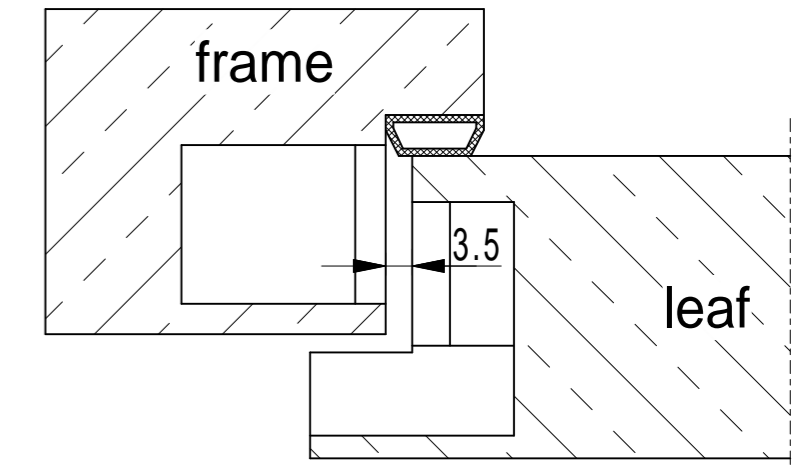
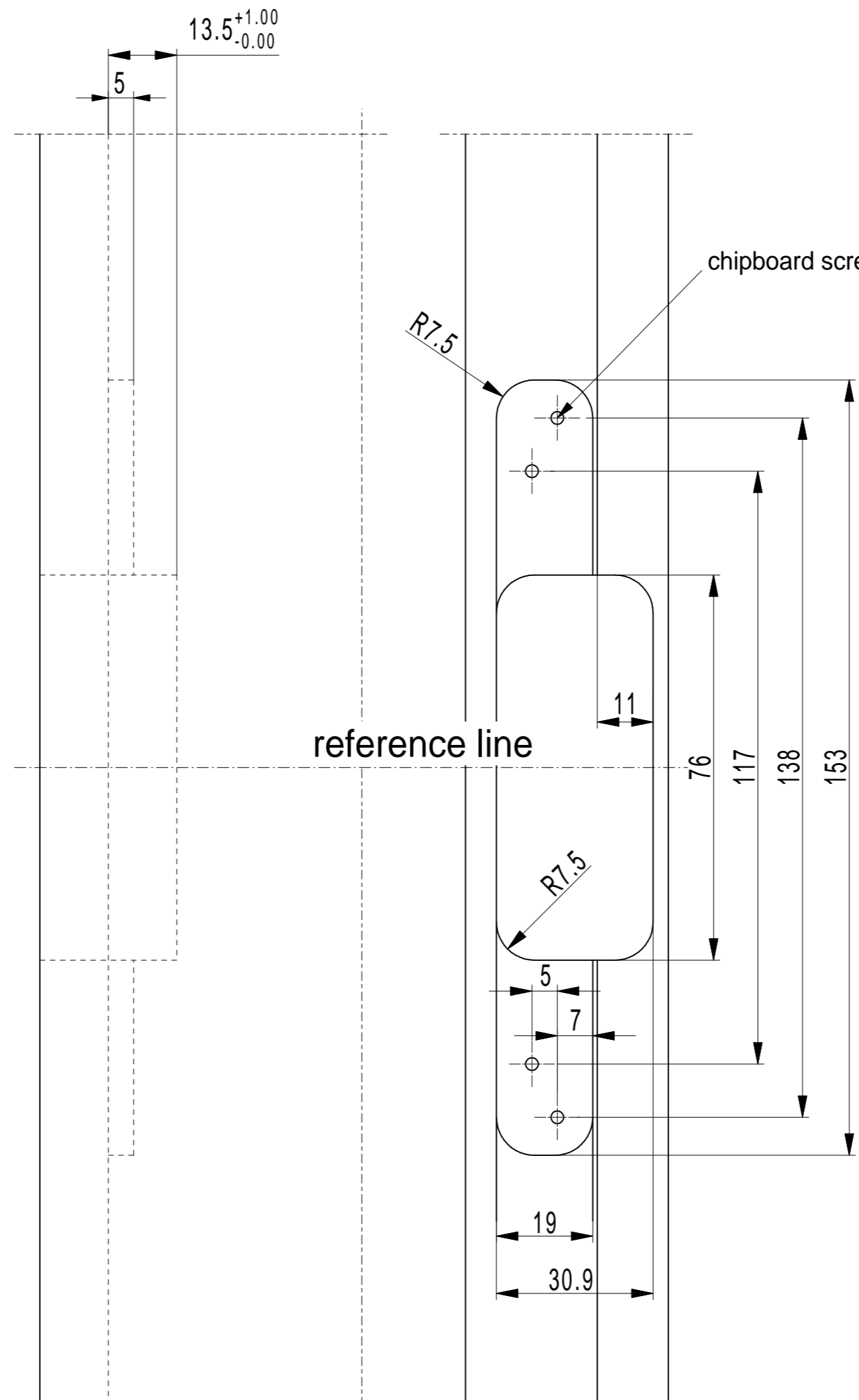
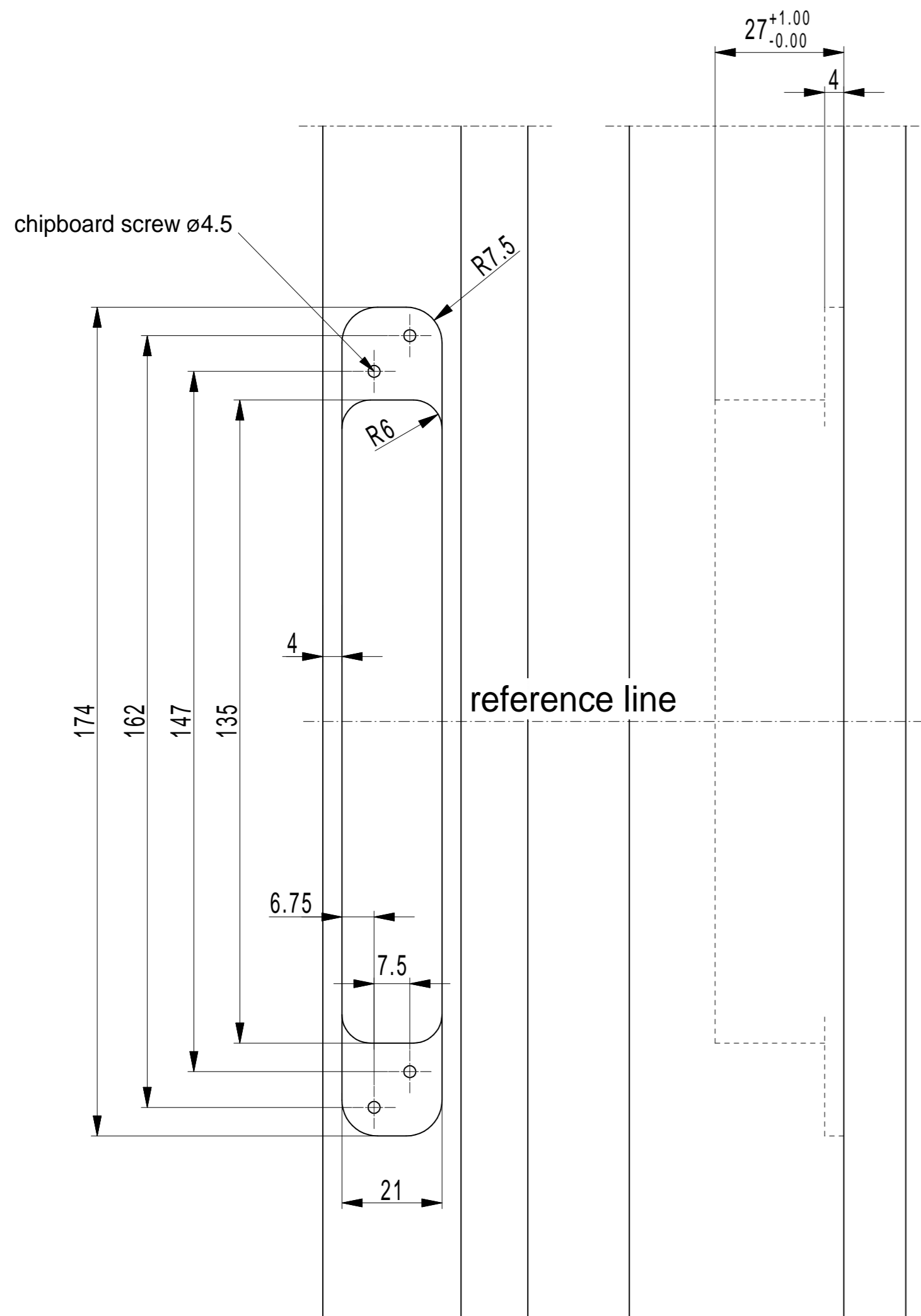
Certified according to



Item	Finish	PU
041108	satın nickel plated	2

# frame

# leaf



This drawing is our property. Any duplication, use or distribution to third parties is strictly prohibited and constitutes an infringement of copyright which will be subject to legal proceedings and compensation claims. (Copyright Law, Act against Unfair Competition, BGB). All rights reserved in case of a patent issue (§ 7 sect. 1 PatG) or a utility model protection (§ 5 sect.4 GebrMG).  
BaSys - Bartels Systembeschläge GmbH

Maße / Dimensions in mm		Format A2		Bartels Systembeschläge GmbH Gewerbegebiet Echtenhagen 2 D-32689 Kalletal-Hohenhausen Tel.: +49 (0) 52 64 / 64 73 - 0 Fax: +49 (0) 52 64 / 64 73 - 30	
Werkstoff / Material		-		Benennung / Title	
2020	Datum / Date	Name		cutout drawing	
gez. / drawn	09.03.	Reglin		PIVOTA ® FX2 80 3-D	
gepr./checked	-	-		-	
Norm / std.	-	-		-	
Index	Änderung / Description of Change	Datum / Date	Name	Datei / File	04110800.PRT
Zeichn.-Nr. / Drawing-No.				-	
Maßstab / Scale				1 : 1	